

PURCHASER	P.O. #	DATE
PROJECT	LOCATION	
ENGINEER	ARCHITECT	
SUBMITTED BY	FOR APPROVAL	FOR REFERENCE

ITEM	PLAN DESIGNATION	QUANTITY	COOLING BTU/H	VOLTAGE	FRIEDRICH MODEL

Features

- Inverter technology (variable speed compressor)
- High efficiency for low operating cost
- DiamonGold Advanced Corrosion Protection™
- Auto dry indoor coil
- Cooling/Heating/Fan mode
- Surge Cool/Heat
- Natural air flow
- 4-Way auto swing
- Ultra quiet operation
- Sleep mode
- Dry Mode
- Auto restart
- Auto changeover
- Built-in low ambient standard, down to 14°F (Cooling Mode)
- 24-hour on/off timer
- Multiple ease of installation features
- BLDC Motor



MW09Y3J, MW12Y3J



MW18Y3J

All Inverter line



WIRELESS
REMOTE CONTROL



MR09Y3J, MR12Y3J



MR18Y3J

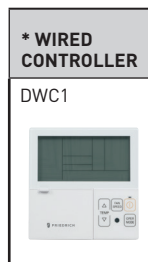
SPECIFICATIONS

PERFORMANCE RATINGS		Single Zone Wall-Mounted - Heat Pump		
		9k	12k	18k
SYSTEM MODEL NO.		M09YJ	M12YJ	M18YJ
INDOOR MODEL		MW09Y3J	MW12Y3J	MW18Y3J
OUTDOOR MODEL		MR09Y3J	MR12Y3J	MR18Y3J
SPECIFICATIONS				
CAPACITY COOLING (RATED)	Btu	9,000	11,200	17,000
CAPACITY COOLING (MIN-MAX)	Btu	3,070-12,620	3,070-14,660	3,070-20,470
CAPACITY HEATING @ 47° F (RATED)	Btu	10,800	13,300	20,200
CAPACITY HEATING @ 17° F	Btu	6,600	8,700	13,200
CAPACITY HEATING (MIN-MAX)	Btu	3,070-17,060	3,070-20,470	3,070-30,700
COOLING AMPS		3	4.2	7
HEATING AMPS		3.7	4.9	7.3
SENSIBLE HEAT RATIO		.72	.73	.73
SEER		21.5	21.5	18.0
EER		13.3	12.5	12.0
HSPF		11.0	11.0	9.7
ENERGY STAR		YES	YES	YES
MOISTURE REMOVAL	Pts/h	2.3	3.0	4.2
AIRFLOW (QUIET, LOW, MED, HIGH)	CFM	124/212/272/335	124/212/272/335	300/371/441/512
SOUND RATING - INDOOR	dB-A	19 / 24 / 33 / 38	19 / 24 / 33 / 39	29 / 35 / 40 / 45
SOUND RATING - OUTDOOR	dB-A	45	45	53
OPERATING RANGE (COOLING)(WIND BAFFLE)	°F	14(0)-118	14(0)-118	14(0)-118
OPERATING RANGE (HEATING)	°F	-4-75	-4-75	-4-75
EST. YEARLY OPERATING COST	\$	61	81	127
ELECTRICAL DATA				
POWER SOURCE	V	208/230/60/1	208/230/60/1	230/208/60/1
MINIMUM AMPACITY	A	10	10	19
COOLING WATTS	W	677	896	1416
HEATING WATTS	W	700	1000	1680
MAX. TD FUSE/BREAKER	A	15	15	20
POWER AND COMMUNICATION CABLE	No. x AWG	4 x 14	4 x 14	4 x 14
REFRIGERATION SYSTEM				
REFRIGERANT		R410A	R410A	R410A
COMPRESSOR TYPE		Inverter	Inverter	Inverter
CONNECTIONS		Flare	Flare	Flare
LIQUID LINE O.D.	in	1/4	1/4	1/4
SUCTION LINE O.D.	in	3/8	3/8	1/2
FACTORY PRECHARGE	ft	41	41	25
REFRIGERANT CHARGE	oz	36	36	48
MIN./MAX. LINE LENGTH	ft	7-66	7-66	10-66
MAX. HEIGHT DIFFERENCE	ft	33	33	33
DIMENSIONS & WEIGHT				
INDOOR UNIT				
W X H X D	in	35-1/4 x 11-1/4 x 8-1/4	35-1/4 x 11-1/4 x 8-1/4	40-5/8 x 12-7/8 x 9-5/8
NET WEIGHT	lbs	23	23	31
SHIPPING WEIGHT	lbs	27	27	40
OUTDOOR UNIT				
W X H X D	in	30-5/16x21-5/16x11-5/16	30-5/16x21-5/16x11-5/16	34-5/16x25-7/8x12-5/8
NET WEIGHT	lbs	78	78	97
SHIPPING WEIGHT	lbs	79	79	101
TOTAL NET WEIGHT	lbs	101	101	128
TOTAL SHIPPING WEIGHT	lbs	106	106	141

REFRIGERATION LINE SETS*

USED WITH	Length Ft.	Liquid	Suction	Kit#
9000 and 12000 BTU indoor units	15'	1/4"	3/8"	T32150
	35'	1/4"	3/8"	T32350
18000 BTU indoor units	15'	1/4"	1/2"	T42150
	35'	1/4"	1/2"	T42350

THERMOSTAT



LOW AMBIENT WIND BAFFLE KIT

WIND BAFFLE	USED WITH
DLAWB1	9000 - 12000 Btu wall-mounted single zone models
DLAWB2	18000 - 36000 Btu wall-mounted single zone models

*Used with all models.

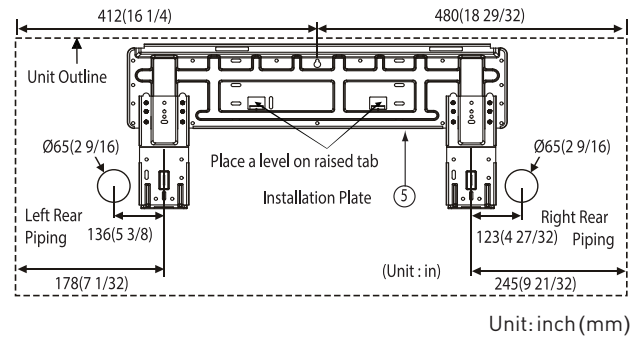
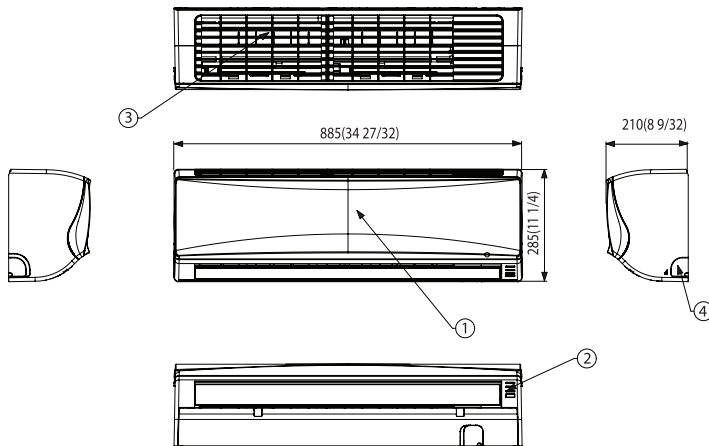
*Insulated line sets are available for all Friedrich split systems in 15 ft. and 35 ft. lengths. Each line set is equipped with flare nuts on both ends. Both liquid and suction lines are insulated. Line sets can be joined together with field supplied double male connectors. Each system requires one line set for each indoor unit installed.

Your operating costs will depend on your utility rates and use. The estimated operating cost is based on a electricity cost of \$.115 per kWh. For more information, visit www.ftc.gov/energy. Due to continuing research in new energy-saving technology, specifications are subject to change without notice.



DIMENSIONAL DRAWINGS

INDOOR UNITS / MW09Y3J, MW12Y3J

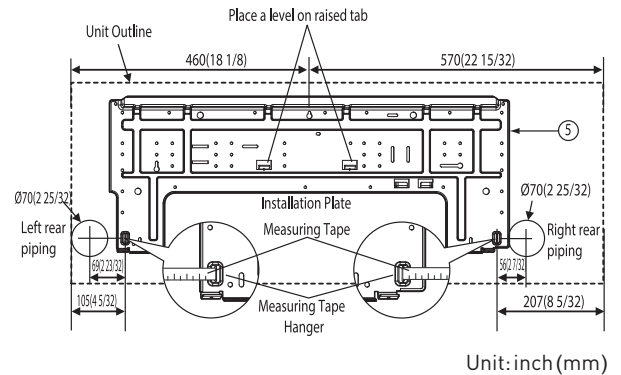
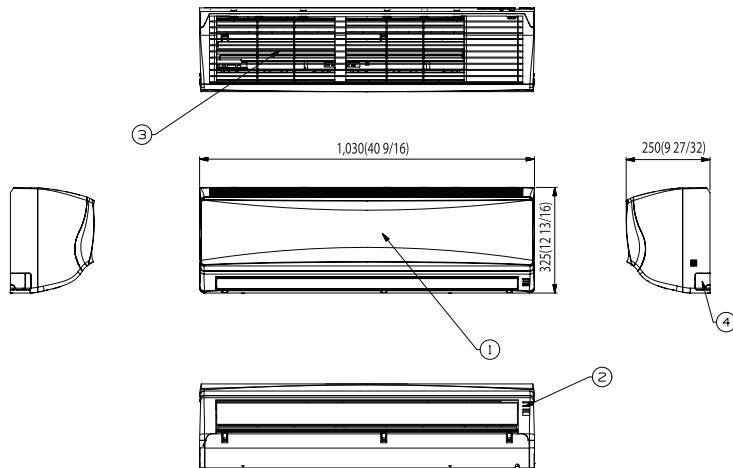


Item No.	Part Name	Remark
1	Front Panel	
2	Display & Signal Receiver	
3	Air Suction Grille	
4	Knockout Hole	For pipe and cable
5	Installation Plate	

Note

1. The unit should be installed according to installation manual which is in the product box.
2. The unit is powered from the outdoor unit. So the power cable should be connected with the outdoor unit.

INDOOR UNITS / MW18Y3J



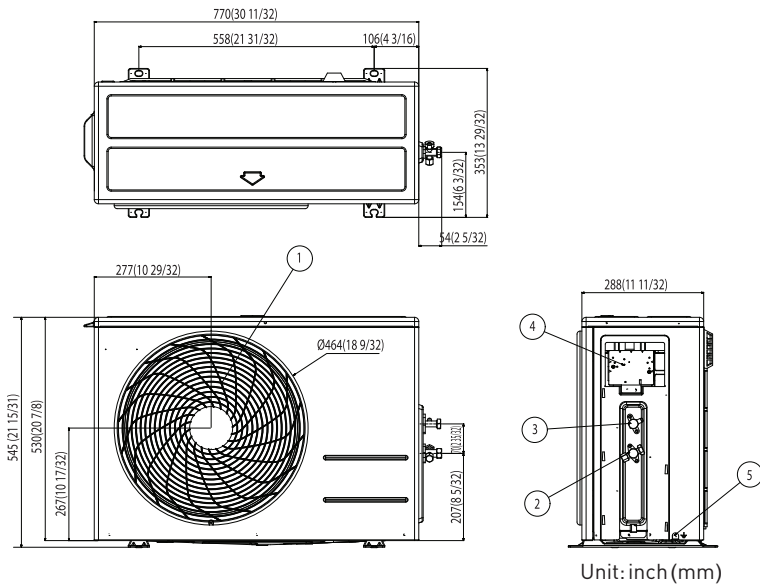
Item No.	Part Name	Remark
1	Front Panel	
2	Display & Signal Receiver	
3	Air Suction Grille	
4	Knockout Hole	For pipe and cable
5	Installation Plate	

Note

1. The unit should be installed according to installation manual which is in the product box.
2. The unit is powered from the outdoor unit. So the power cable should be connected with the outdoor unit.

DIMENSIONAL DRAWINGS

OUTDOOR UNITS / MR09Y3J, MR12Y3J

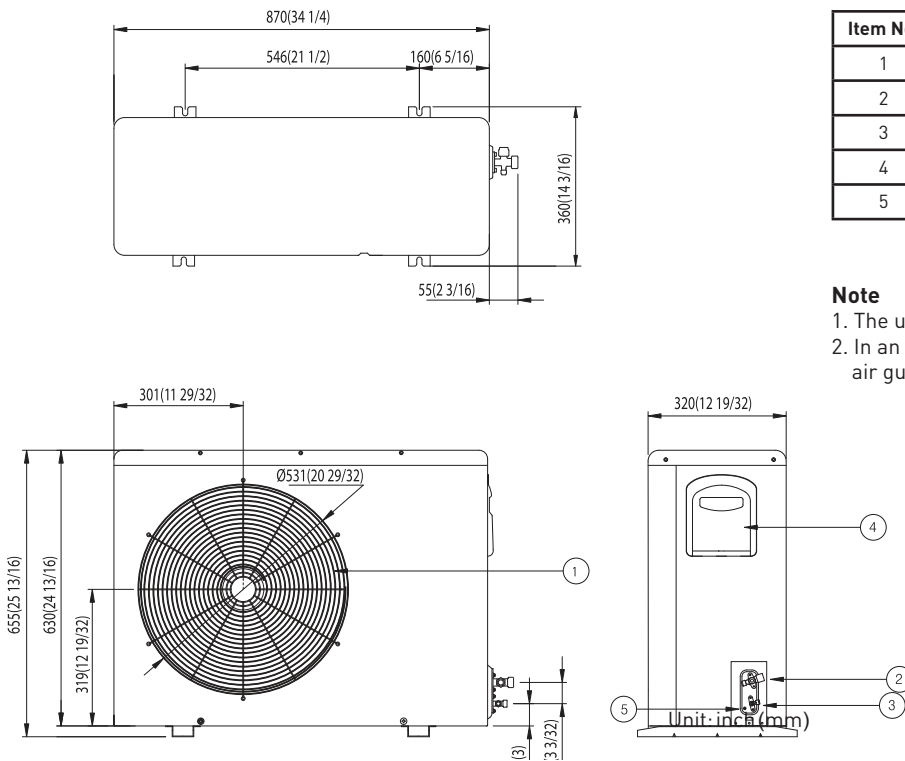


Item No.	Part Name	Remark
1	Air Discharge Grille	
2	Gas Pipe Connection Port	
3	Liquid Pipe Connection Port	
4	Control Box	
5	Earth Screw	

Note

1. The unit is not allowed to be installed in a closed area.
2. In an area or a space having no proper air circulation, an air guide should be installed in the outdoor unit.

OUTDOOR UNITS / MR18Y3J



Item No.	Part Name	Remark
1	Air Discharge Grille	
2	Gas Pipe Connection Port	
3	Liquid Pipe Connection Port	
4	Control Box	
5	Earth Screw	

Note

1. The unit is not allowed to be installed in a closed area.
2. In an area or a space having no proper air circulation, an air guide should be installed in the outdoor unit.