

PURCHASER	P.O. #	DATE
PROJECT	LOCATION	
ENGINEER	ARCHITECT	
SUBMITTED BY	FOR APPROVAL	FOR REFERENCE

ITEM	PLAN DESIGNATION	QUANTITY	COOLING BTU/H	VOLTAGE	FRIEDRICH MODEL

Features

- Inverter technology (variable speed compressor)
- Internal condensate pump with 27 1/2" lift* included
- Cooling/Heating/Fan Mode
- Dry Mode
- 3 Fan speeds
- 24-hour on/off timer
- Auto restart
- Auto changeover
- Sleep mode
- Control lock function
- External Static Pressure Range(ESP)
 - 24,000 (0.1 - 0.78) WC
 - 36,000 (0.15 - 0.6) WC
- BLDC Motors



MD24Y3J, MD36Y3J

* Lift from drain pan to drain outlet. Use external drain pump for installations requiring condensate lift exceeding 27 1/2"

All Inverter line



MR24UY3J

MR36UY3J

SPECIFICATIONS

PERFORMANCE RATINGS	Single Zone Concealed Ducted - Heat Pumps		
	24k	36k	
SYSTEM MODEL NO.	D24YJ	D36YJ	
INDOOR MODEL	MD24Y3J	MD36Y3J	
OUTDOOR MODEL	MR24UY3J	MR36UY3J	
SPECIFICATIONS			
CAPACITY COOLING (RATED)	Btu	24,000	36,000
CAPACITY COOLING (MIN-MAX)	Btu	9,700-26,700	16,000-41,400
CAPACITY HEATING @ 47°F (RATED)	Btu	27,000	40,000
CAPACITY HEATING @ 17°F (RATED)	Btu	17,600	24,600
CAPACITY HEATING (MIN-MAX)	Btu	10,900-30,000	17,500-48,000
COOLING AMPS		15.1	20.8
HEATING AMPS		15.1	21.4
SENSIBLE HEAT RATIO		.68	.67
SEER		17.0	17.6
EER		12.0	12.1
HSPF		10.0	9.2
ENERGY STAR		No	No
MOISTURE REMOVAL	Pts/h	7.0	10.6
AIRFLOW (LOW, MED, HIGH)	CFM	530 / 618 / 688	706 / 953 / 1,130
SOUND RATING - INDOOR H/M/L	dB(A)	38/36/35	39/38/37
SOUND RATING - OUTDOOR	dB(A)	62	67
OPERATING RANGE (COOLING)	°F	5-118	5-118
OPERATING RANGE (HEATING)	°F	-4-64	-4-64
EST. YEARLY OPERATING COST	\$	180	268
ELECTRICAL DATA			
POWER SOURCE		208/230/60/1	208/230/60/1
MINIMUM AMPACITY	A	18.1	24.5
COOLING WATTS	W	2000	2910
MAX. TD FUSE/BREAKER	A	30	40
POWER AND COMMUNICATION CABLE	No. x AWG	4 x 14	4 x 14
REFRIGERATION SYSTEM			
REFRIGERANT		R410A	R410A
COMPRESSOR TYPE		Twin Rotary	Twin Rotary
CONNECTIONS		Flare	Flare
LIQUID LINE O.D.	in	3/8	3/8
SUCTION LINE O.D.	in	5/8	5/8
FACTORY PRECHARGE	ft	25	25
REFRIGERANT CHARGE	oz	71	120
MIN./MAX. LINE LENGTH	ft	25-164	25-246
MAX. HEIGHT DIFFERENCE	ft	98	98
DIMENSIONS & WEIGHT			
INDOOR UNIT			
W X H X D	in	46-9/16 x 11-3/4 x 17-3/4	48-1/2 x 15 x 23-1/4
NET WEIGHT	lbs	73	125
SHIPPING WEIGHT	lbs	95	139
OUTDOOR UNIT			
W X H X D	in	37-7/16 x 32-7/8 x 13	37-7/16 x 54-3/8 x 13
NET WEIGHT	lbs	132	203
SHIPPING WEIGHT	lbs	146	227
TOTAL NET WEIGHT	lbs	205	327
TOTAL SHIPPING WEIGHT	lbs	240	366

Your operating costs will depend on your utility rates and use. The estimated operating cost is based on a electricity cost of \$.115 per kWh. For more information, visit www.ftc.gov/energy. Due to continuing research in new energy-saving technology, specifications are subject to change without notice.

Refrigeration line sets*

USED WITH	Length Ft.	Liquid	Suction	Kit#
9000 and 12000 BTU indoor units	15'	1/4"	3/8"	T32150
	35'	1/4"	3/8"	T32350
18000 BTU indoor units	15'	1/4"	1/2"	T42150
	35'	1/4"	1/2"	T42350
24000, 30000 and 36000 BTU indoor units	15'	3/8"	5/8"	T53150
	35'	3/8"	5/8"	T53350

*Insulated line sets are available for all Friedrich split systems in 15 ft. and 35 ft. lengths. Each line set is equipped with flare nuts on both ends. Both liquid and suction lines are insulated. Line sets can be joined together with field supplied double male connectors. Each system requires one line set for each indoor unit installed. On multi-zone systems, line sets should be ordered based on individual indoor unit capacities not total system capacity.

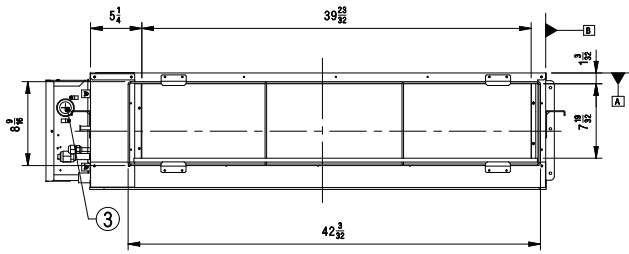
Thermostat



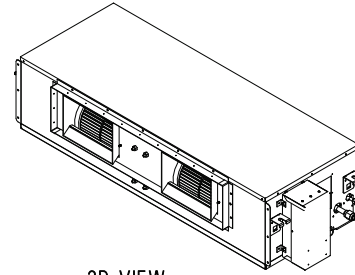
*Used with all models.

DIMENSIONAL DRAWINGS

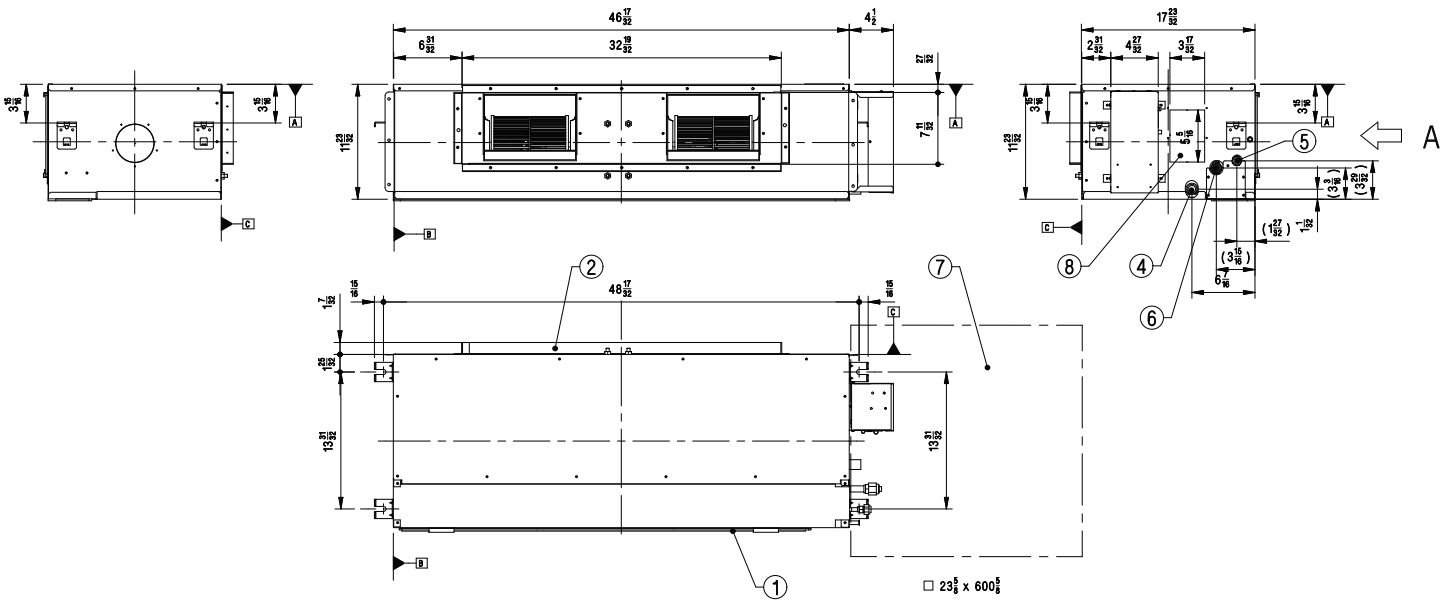
INDOOR UNITS / MD24Y3J



View A



3D VIEW



Item No.	Part Name	Description
1	Air Intake	-
2	Air Outlet	-
3	Power and Communication cable & Wired Remote Controller Wire Routing Hole	-
4	Drain Pipe Connection	-
5	Liquid Pipe Connection	-
6	Gas Pipe Connection	-
7	Inspection Hole	-
8	Drain Pump (accessory) Installation Hole	Knock out Type

Symbols

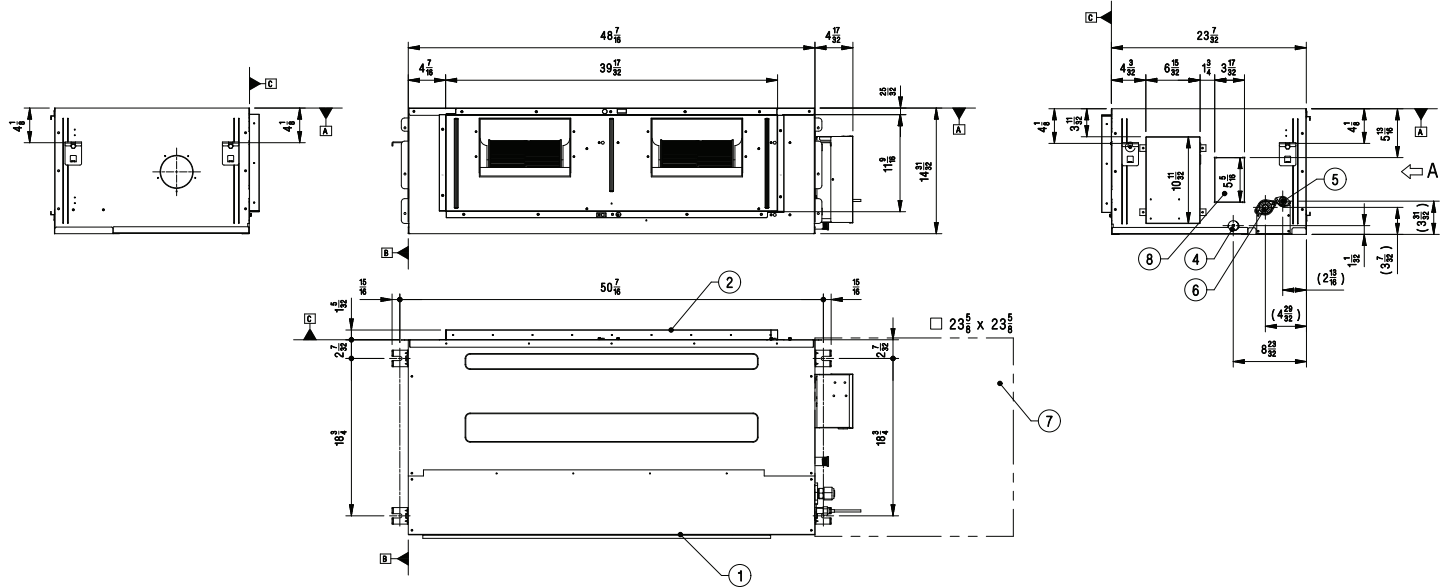
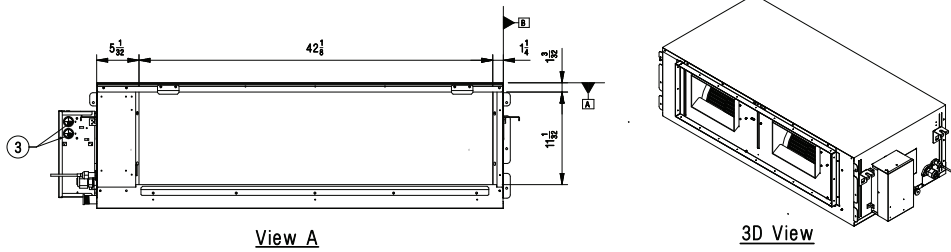
- View Direction
- Datum Line

Note

1. Unit should be installed in compliance with the installation manual in the product box.
2. Unit should be grounded in accordance with the local regulations or applicable national codes.
3. All electrical components and materials to be supplied from the site must comply with the local regulations or international codes.
4. Electric characteristics chapter should be considered for electrical work and design. Especially the power cable and circuit breaker should be selected in accordance with that.

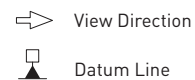
DIMENSIONAL DRAWINGS

INDOOR UNITS / MD36Y3J



Item No.	Part Name	Description
1	Air Intake	-
2	Air Outlet	-
3	Power and Communication cable & Wired Remote Controller Wire Routing Hole	-
4	Drain Pipe Connection	-
5	Liquid Pipe Connection	-
6	Gas Pipe Connection	-
7	Inspection Hole	-
8	Drain Pump (accessory) Installation Hole	Knock out Type

Symbols

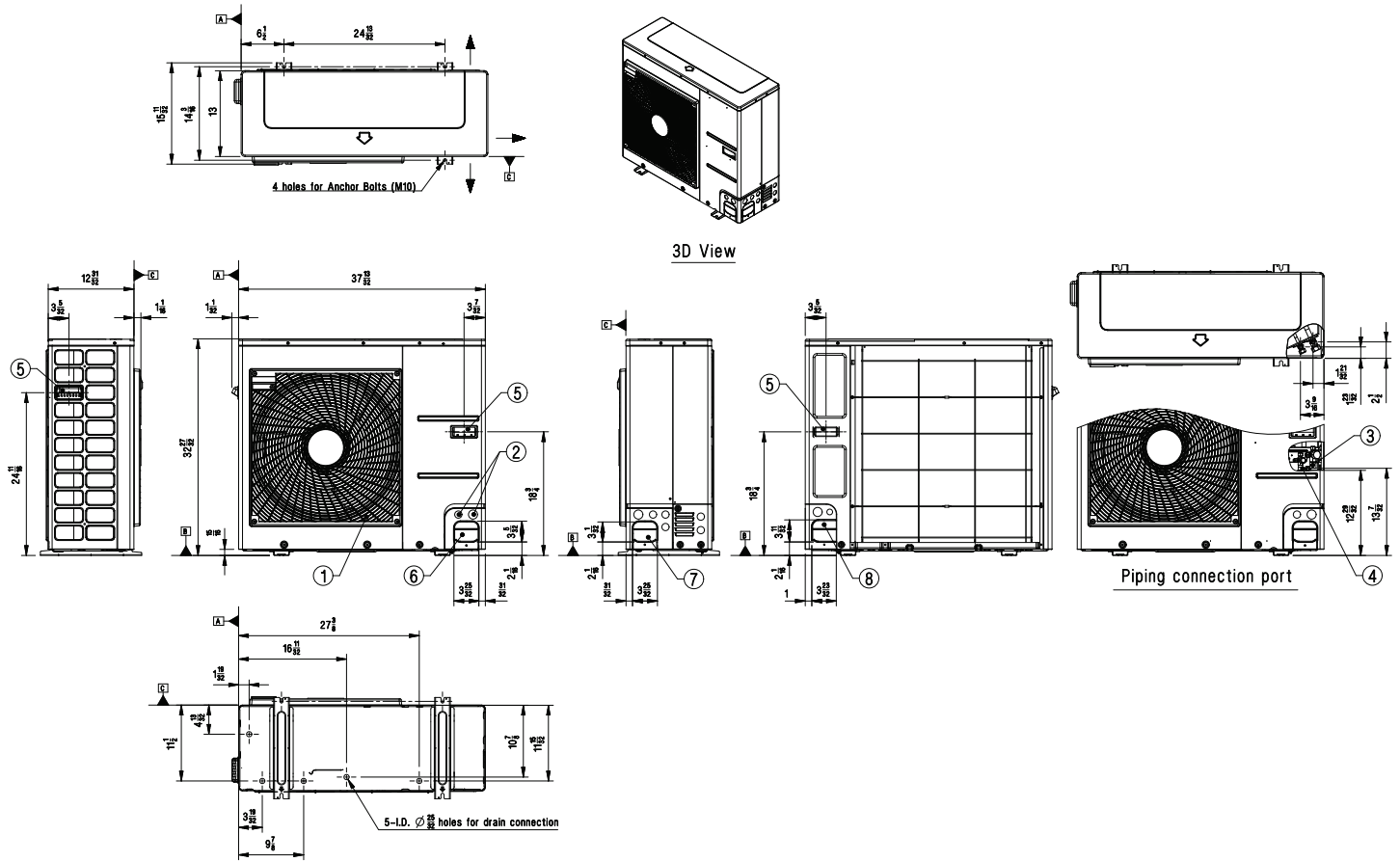


Note

- Unit should be installed in compliance with the installation manual in the product box.
- Unit should be grounded in accordance with the local regulations or applicable national codes.
- All electrical components and materials to be supplied from the site must comply with the local regulations or international codes.
- Electric characteristics chapter should be considered for electrical work and design. Especially the power cable and circuit breaker should be selected in accordance with that.

DIMENSIONAL DRAWINGS

OUTDOOR UNITS / MR24UY3J



Item No.	Part Name	Description
1	Air Intake	-
2	Air Outlet	-
3	Power and Communication cable & Wired Remote Controller Wire Routing Hole	-
4	Drain Pipe Connection	-
5	Liquid Pipe Connection	-
6	Gas Pipe Connection	-
7	Inspection Hole	-
8	Drain Pump (accessory) Installation Hole	Knock out Type

Symbols

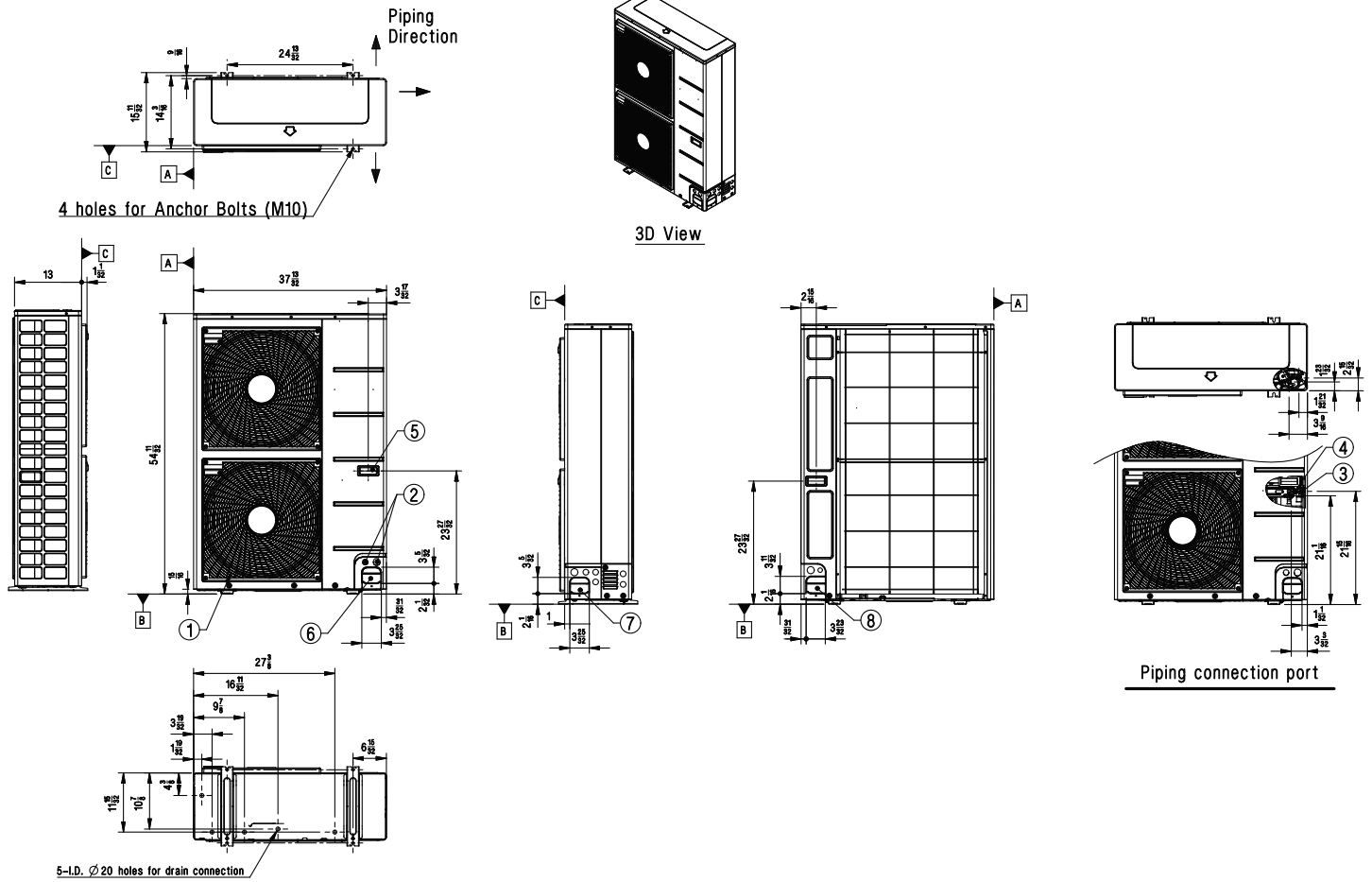
- Datum Line
- Piping Direction

Note

- Unit should be installed in compliance with the installation manual in the product box.
- Unit should be grounded in accordance with the local regulations or applicable national codes.
- All electrical components and materials to be supplied from the site must comply with the local regulations or international codes.
- Electric characteristics chapter should be considered for electrical work and design. Especially the power cable and circuit breaker should be selected in accordance with that.

DIMENSIONAL DRAWINGS

OUTDOOR UNITS / MR36UY3J



Item No.	Part Name	Description
1	Air Intake	-
2	Air Outlet	-
3	Power and Communication cable & Wired Remote Controller Wire Routing Hole	-
4	Drain Pipe Connection	-
5	Liquid Pipe Connection	-
6	Gas Pipe Connection	-
7	Inspection Hole	-
8	Drain Pump (accessory) Installation Hole	Knock out Type

Symbols

- Datum Line
- Piping Direction

Note

1. Unit should be installed in compliance with the installation manual in the product box.
2. Unit should be grounded in accordance with the local regulations or applicable national codes.
3. All electrical components and materials to be supplied from the site must comply with the local regulations or international codes.
4. Electric characteristics chapter should be considered for electrical work and design. Especially the power cable and circuit breaker should be selected in accordance with that.