

PURCHASER		P.O. #	DATE
PROJECT		LOCATION	
ENGINEER		ARCHITECT	
SUBMITTED BY		FOR APPROVAL	FOR REFERENCE

ITEM	PLAN DESIGNATION	QUANTITY	COOLING BTU/H	VOLTAGE	FRIEDRICH MODEL

Features

- Inverter technology (variable speed compressor)
- Internal condensate pump included with up to 27-1/2" lift*
- Natural air flow
- 4-Way cooling
- Surge cool/heat
- Cooling/Heating/Fan mode
- Dry Mode
- Sleep mode
- Built-in low ambient standard, down to 14°F (Cooling mode)
- Independent vane control
- 5 Fan speeds
- Evaporator frost control
- 24-hour on/off timer
- Auto restart
- Auto changeover
- Temperature display on remote
- Ultra-quiet turbo fan
- DiamonGold Advanced Corrosion Protection™
- Clean, modern look
- Flexible installation
- ENERGY STAR® qualified models
- Precise air distribution
- BLDC Motors

* Lift from drain pan to drain outlet. Use external drain pump for installations requiring condensate lift exceeding 27 1/2"

All Inverter line



MC24Y3J

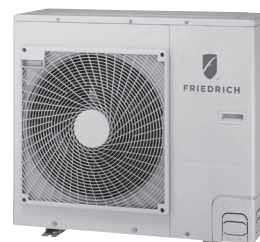


MC36Y3J

NOTE: Grilles are sold separately



WIRELESS
REMOTE CONTROL



MR24UY3J



MR36UY3J

SPECIFICATIONS

PERFORMANCE RATINGS		Single Zone Cassette - Heat Pump	
		24k	36k
SYSTEM MODEL NO.		C24YJ	C36YJ
INDOOR MODEL		MC24Y3J	MC36Y3J
OUTDOOR MODEL		MR24UY3J	MR36UY3J
SPECIFICATIONS			
CAPACITY COOLING (RATED)	Btu	24,000	36,000
CAPACITY COOLING (MIN-MAX)	Btu	9,700-26,700	14,000-42,000
CAPACITY HEATING @ 47°F (RATED)	Btu	27,000	40,000
CAPACITY HEATING @ 17°F (RATED)	Btu	18,600	26,000
CAPACITY HEATING (MIN-MAX)	Btu	10,900-30,000	14,500-45,000
COOLING AMPS		15.1	20.2
HEATING AMPS		15.1	20.8
SENSIBLE HEAT RATIO		.77	.76
SEER		17.0	19.0
EER		12.6	13.5
HSPF		9.7	9.5
ENERGY STAR *		Yes	Yes
MOISTURE REMOVAL	Pts/h	5.1	7.7
AIRFLOW (LOW, MED, HIGH)	CFM	459 / 530 / 600	918 / 989 / 1,060
SOUND RATING - INDOOR H/M/L	dB(A)	38/36/34	46/44/43
SOUND RATING - OUTDOOR	dB(A)	62	67
OPERATING RANGE (COOLING)	°F	5-118	5-118
OPERATING RANGE (HEATING)	°F	-4-64	-4-64
EST. YEARLY OPERATING COST	\$	172	240
ELECTRICAL DATA			
POWER SOURCE	V	208/230/60/1	208/230/60/1
MINIMUM AMPACITY	A	18.1	24.5
COOLING WATTS	W	1910	2970
MAX. TD FUSE/BREAKER	A	30	40
POWER AND COMMUNICATION CABLE	No. x AWG	4 x 14	4 x 14
REFRIGERATION SYSTEM			
REFRIGERANT		R410A	R410A
COMPRESSOR TYPE		Twin Rotary	Twin Rotary
CONNECTIONS		Flare	Flare
LIQUID LINE O.D.	in	3/8	3/8
SUCTION LINE O.D.	in	5/8	5/8
FACTORY PRECHARGE	ft	25	25
REFRIGERANT CHARGE	oz	71	120
MIN./MAX. LINE LENGTH	ft	25-164	25-246
MAX. HEIGHT DIFFERENCE	ft	98	98
DIMENSIONS & WEIGHT			
INDOOR UNIT			
W X H X D	in	33-1/16 x 8-1/16 x 33-1/16	33-1/16 x 11-3/8 x 33-1/16
NET WEIGHT	lbs	45	54
SHIPPING WEIGHT	lbs	58	65
INDOOR UNIT GRILLE** W X H X D	in	37-3/8 x 15/16 x 37-3/8	37-3/8 x 15/16 x 37-3/8
INDOOR UNIT GRILLE** NET WEIGHT	lbs	11	11
OUTDOOR UNIT			
W X H X D	in	37-7/16 x 32-7/8 x 13	37-13/32 x 54-3/8 x 13
NET WEIGHT	lbs	132	203
SHIPPING WEIGHT	lbs	146	227
TOTAL NET WEIGHT	lbs	178	257
TOTAL SHIPPING WEIGHT	lbs	203	293

Refrigeration line sets*

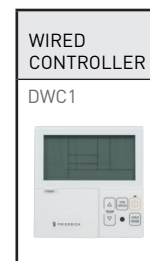
USED WITH	Length Ft.	Liquid	Suction	Kit#
9000 and 12000	15'	1/4"	3/8"	T32150
BTU indoor units	35'	1/4"	3/8"	T32350
18000 BTU indoor units	15'	1/4"	1/2"	T42150
	35'	1/4"	1/2"	T42350
24000,30000 and 36000	15'	3/8"	5/8"	T53150
BTU indoor units	35'	3/8"	5/8"	T53350

*Insulated line sets are available for all Friedrich split systems in 15 ft. and 35 ft. lengths. Each line set is equipped with flare nuts on both ends. Both liquid and suction lines are insulated. Line sets can be joined together with field supplied double male connectors. Each system requires one line set for each indoor unit installed. On multi-zone systems, line sets should be ordered based on individual indoor unit capacities not total system capacity.

Ceiling Cassette Grilles (required accessory)

DECORATIVE GRILLE	USED WITH
DCG2436	MC24Y3J, MC36Y3J models

Thermostat



Available for all models

Your operating costs will depend on your utility rates and use. The estimated operating cost is based on a electricity cost of \$.115 per kWh. For more information, visit www.ftc.gov/energy.

*System meets ENERGY STAR® published minimums.

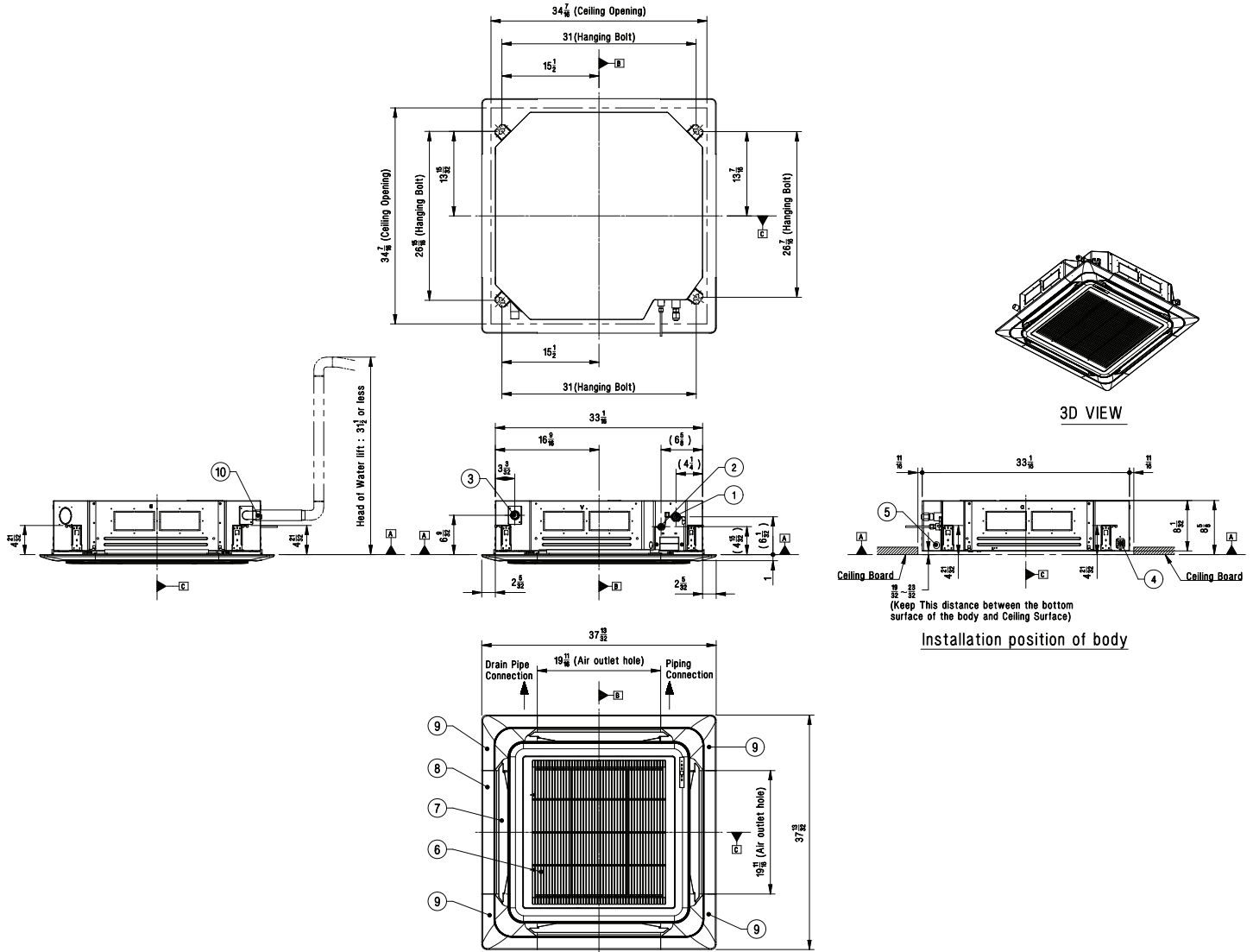
**Models require grilles. Sold separately.

Due to continuing research in new energy-saving technology, specifications are subject to change without notice.



DIMENSIONAL DRAWINGS

INDOOR UNITS / MC24Y3J



Symbols

- Datum line
- Refrigerant/Drain Piping Direction

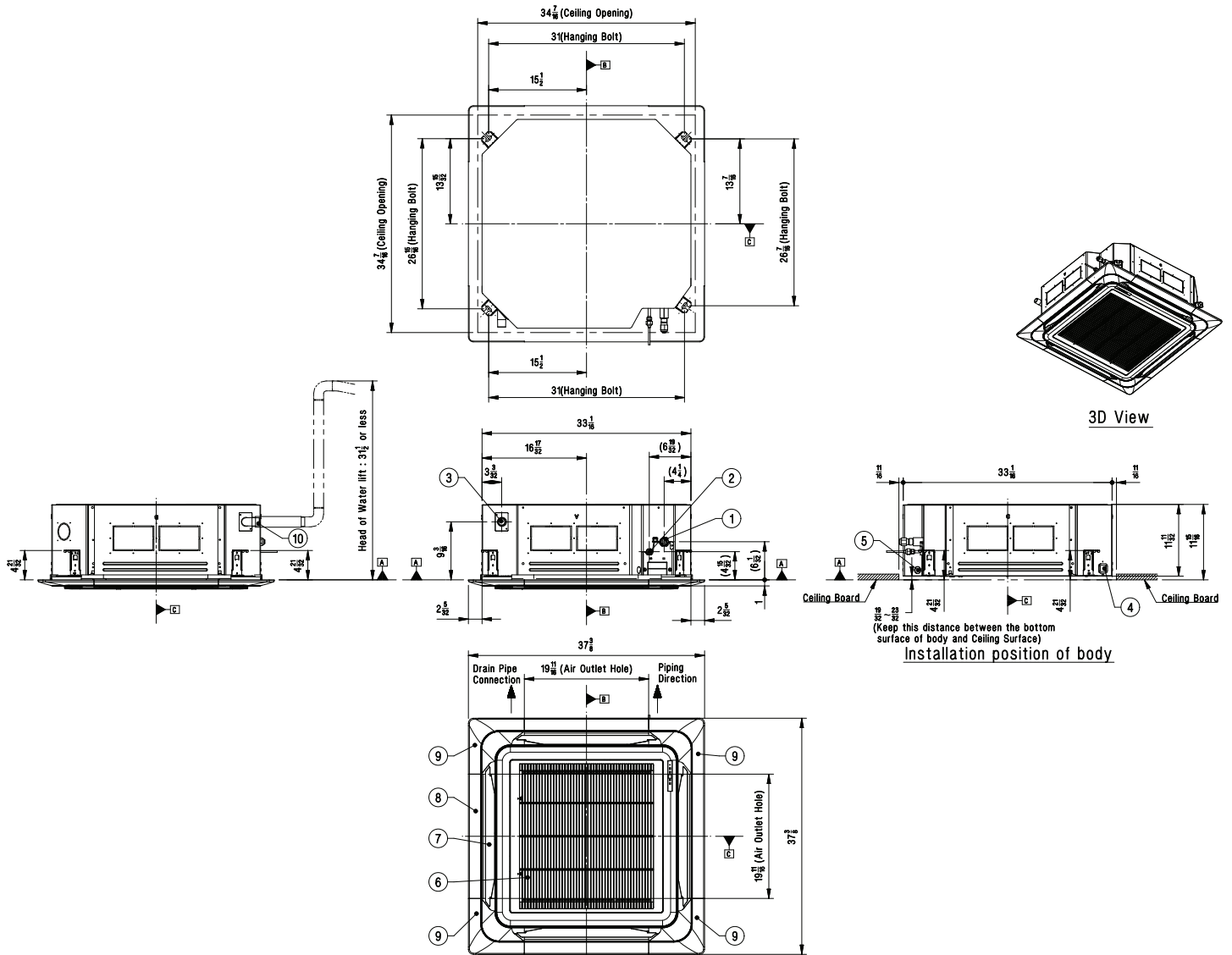
Item No.	Part Name	Description
1	Gas Pipe Connection	-
2	Liquid Pipe Connection	-
3	Drain Pipe Connection	-
4	Power and Communication cable routing whole	-
5	Wired remote controller wire routing hole	-
6	Air Inlet	-
7	Air Outlet	-
8	Decoration Panel (Accessory)	DCG2436
9	Decoration Corner Cover	Supplied with panel
10	Flexible Drain Hose	Supplied with product

Note



- Unit should be installed in compliance with the installation manual in the product box.
- Unit should be grounded in accordance with the local regulations or applicable national codes.
- All electrical components and materials to be supplied from the site must comply with the local regulations or international codes.
- Electric characteristics chapter should be considered for electrical work and design. Especially, the power cable and circuit breaker should be selected in accordance with that.

DIMENSIONAL DRAWINGS

INDOOR UNITS / MC36Y3J



Symbols

-  Datum line
-  Refrigerant/Drain Piping Direction

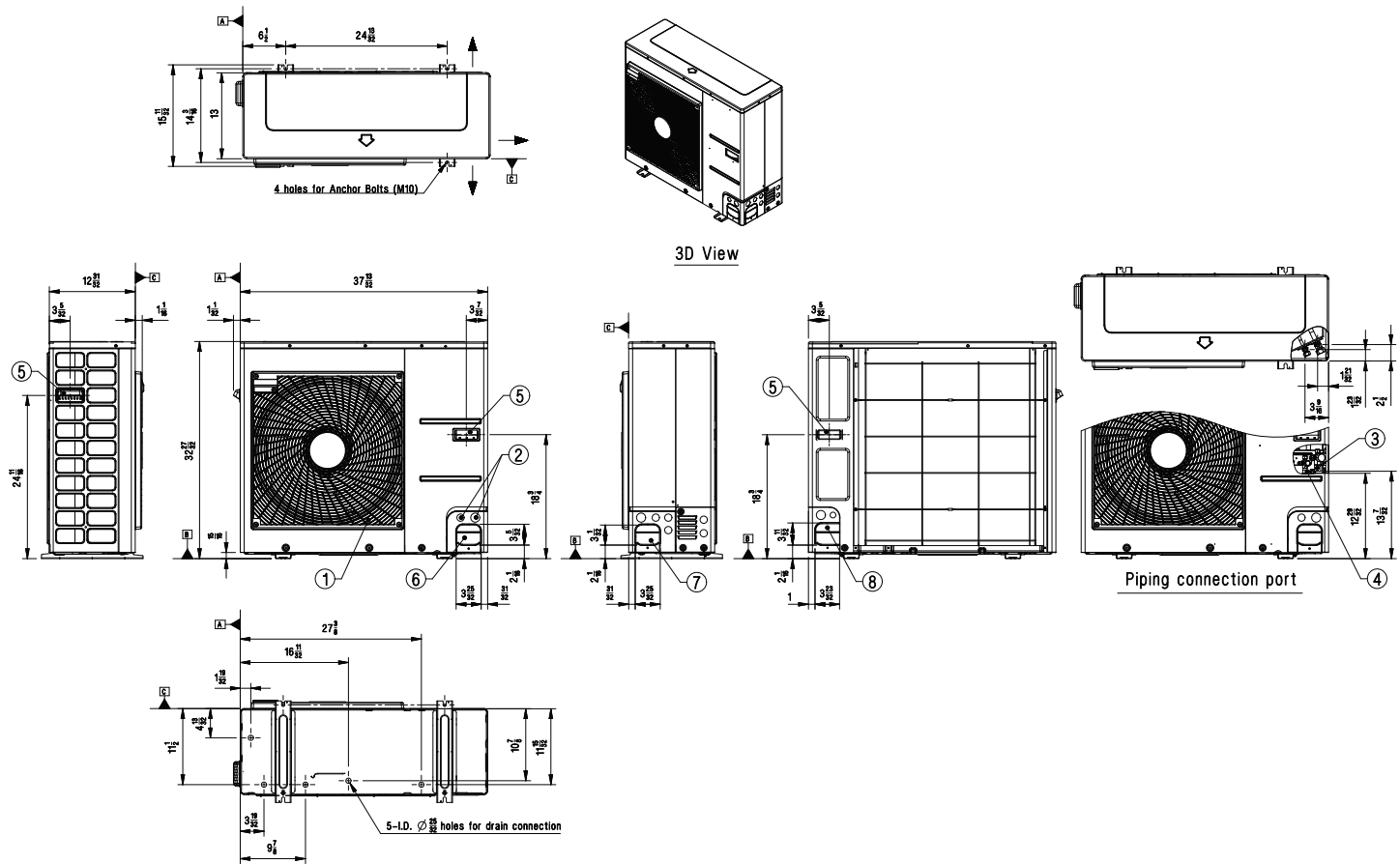
Item No.	Part Name	Description
1	Gas Pipe Connection	-
2	Liquid Pipe Connection	-
3	Drain Pipe Connection	-
4	Power and Communication cable routing whole	-
5	Wired remote controller wire routing hole	-
6	Air Inlet	-
7	Air Outlet	-
8	Decoration Panel (Accessory)	DCG2436
9	Decoration Corner Cover	Supplied with panel
10	Flexible Drain Hose	Supplied with product

Note

1. Unit should be installed in compliance with the installation manual in the product box.
2. Unit should be grounded in accordance with the local regulations or applicable national codes.
3. All electrical components and materials to be supplied from the site must comply with the local regulations or international codes.
4. Electric characteristics chapter should be considered for electrical work and design. Especially, the power cable and circuit breaker should be selected in accordance with that.

DIMENSIONAL DRAWINGS

OUTDOOR UNITS / MR24UY3J



Symbols

- Datum line
- Piping Direction

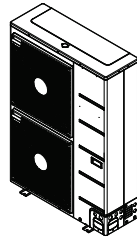
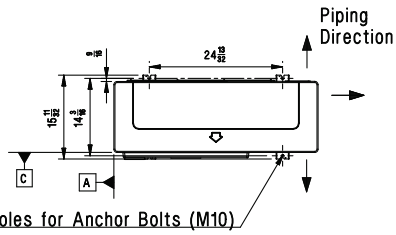
Item No.	Part Name	Description
1	Air Outlet	-
2	Power and communication cable hole	-
3	Gas Pipe Connection	Flare Joint
4	Liquid Pipe Connection	Flare Joint
5	Handle	-
6	Pipe routing hole (front)	-
7	Pipe routing hole (side)	-
8	Pipe routing hole (back)	-

Note

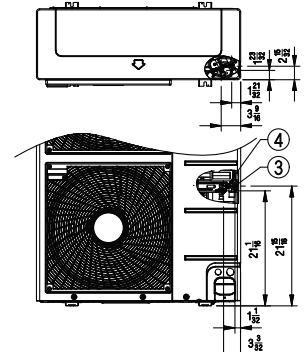
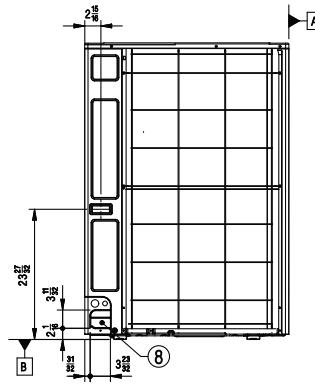
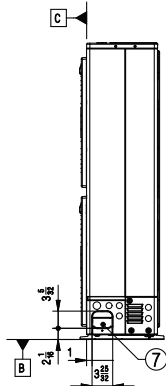
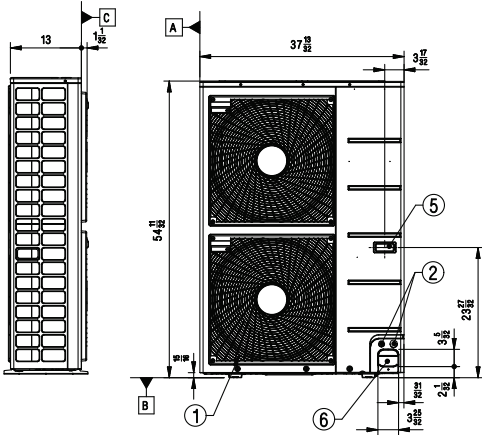
1. Unit should be installed in compliance with the installation manual in the product box.
2. Unit should be grounded in accordance with the local regulations or applicable national codes.
3. All electrical components and materials to be supplied from the site must comply with the local regulations or international codes.
4. Electric characteristics chapter should be considered for electrical work and design. Especially, the power cable and circuit breaker should be selected in accordance with that.

DIMENSIONAL DRAWINGS

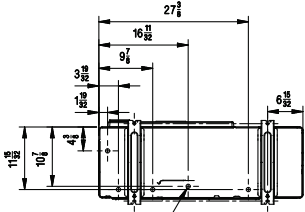
OUTDOOR UNITS / MR36UY3J



3D View



Piping connection port



Symbols

- ▶ A Datum line
- ▶ Piping Direction

Item No.	Part Name	Description
1	Air Outlet	-
2	Power and communication cable hole	-
3	Gas Pipe Connection	Flare Joint
4	Liquid Pipe Connection	Flare Joint
5	Handle	-
6	Pipe routing hole (front)	-
7	Pipe routing hole (side)	-
8	Pipe routing hole (back)	-

Note

1. Unit should be installed in compliance with the installation manual in the product box.
2. Unit should be grounded in accordance with the local regulations or applicable national codes.
3. All electrical components and materials to be supplied from the site must comply with the local regulations or international codes.
4. Electric characteristics chapter should be considered for electrical work and design. Especially, the power cable and circuit breaker should be selected in accordance with that.