



FRIEDRICH

1883

SVC Manual (Exploded View)

DUCTLESS SPLIT SYSTEMS



Model: M24YJ
M30YJ
M36YJ

THE EXPERTS IN ROOM AIR CONDITIONING

FAC P/no : 960-920-02

Product Specifications

| System | | | 24k | 30k | 36k | |
|--|---|---------------------------|---------------------------------|---------------------------------|---------------------------------|----------------------------|
| FAC Model Name | System | | M24YJ | M30YJ | M36YJ | |
| | Outdoor Unit | | MR24Y3J | MR30Y3J | MR36Y3J | |
| | Indoor Unit | | MW24Y3J | MW30Y3J | MW36Y3J | |
| Cooling Capacity | | kW | 6.447 | 8.792 | 9.671 | |
| | | Btu/h. | 22,000 | 30,000 | 33,000 | |
| Heating Capacity | | kW | 8.088 | 9.378 | 10.316 | |
| | | Btu/h. | 27,000 | 32,000 | 35,200 | |
| Power Input | Cooling/Heating | W | 1760/2,380 | 3,000/3,100 | 4,035/3,840 | |
| Running Current | Cooling/Heating | A | 7.9/10.7 | 13.4/13.9 | 17.0/16.2 | |
| Starting Current | Cooling/Heating | A | 7.9/10.7 | 13.4/13.9 | 17.0/16.2 | |
| Cooling COP | | - | 3.66 | 2.93 | 2.4 | |
| EER | | - | 12.5 | 10 | 8.2 | |
| SEER | | - | 21.5 | 19 | 17.5 | |
| HSPF | | - | 11 | 10 | 10 | |
| Power Supply | | Ø/ V / Hz | 1/208-230/60 | 1/208-230/60 | 1/208-230/60 | |
| Power Factor | | % | 97 | 97.5 | 97.5 | |
| Air Flow Rate | Indoor (QUIET, LOW, MED, HIGH) | m ³ /min(CFM) | 13(459)/15(530)/20(706)/24(848) | 13(459)/15(530)/20(706)/24(848) | 13(459)/15(530)/20(706)/24(848) | |
| | Outdoor,Max | m ³ /min(CFM) | 60(2,119) | 60(2,119) | 60(2,119) | |
| Moisture Removal | | l/h. | 2.6 | 2.8 | 3.1 | |
| Sound Level | Indoor,H/M/L/Sleep | dB(A)±3 | 49 / 44 / 40 / 37 | 49 / 44 / 40 / 37 | 49 / 44 / 40 / 37 | |
| | Outdoor,Max | dB(A)±3 | 55 | 55 | 55 | |
| Refrigerant & Charge (at 7.5 m/24.6ft) | | g(oz) | R410A, 2,200(77.6) | R410A, 2,200(77.6) | R410A, 2,200(77.6) | |
| Additional Refrigerant charge | | g/m(oz/ft) | 35(0.38) | 35(0.38) | 35(0.38) | |
| Compressor | Type | | Twin Rotary | Twin Rotary | Twin Rotary | |
| | Model | | GJT240MBA | GJT240MBA | GJT240MBA | |
| | Motor Type | | Brushless DC Motor | Brushless DC Motor | Brushless DC Motor | |
| | Oil Type | | PVE(FVC68D) | PVE(FVC68D) | PVE(FVC68D) | |
| | Oil Charge | cc | 900 | 900 | 900 | |
| | O.L.P. name | | - | - | - | |
| Fan(Indoor) | Type | | Cross Flow Fan | Cross Flow Fan | Cross Flow Fan | |
| | Motor Output | W | 76.1 | 76.1 | 76.1 | |
| Fan(Outdoor) | Type | | Propeller, Fan | Propeller, Fan | Propeller, Fan | |
| | Motor Type | | BLDC | BLDC | BLDC | |
| | Motor Output | W | 124 | 124 | 124 | |
| Circuit Breaker* | | A | 25 | 25 | 25 | |
| Power Supply Cable | | No.*mm ² (AWG) | 3*2.5 (12) | 3*2.5 (12) | 3*2.5 (12) | |
| Power and Transmission Cable | | No.*mm ² (AWG) | 4*1.0 (18) | 4*1.0 (18) | 4*1.0 (18) | |
| Piping Connections | Liquid Side | mm(in) | 9.52(3/8) | 9.52(3/8) | 9.52(3/8) | |
| | Gas Side | mm(in) | 15.88(5/8) | 15.88(5/8) | 15.88(5/8) | |
| Drain Hose(O.D / I.D.) | | mm(in) | 21.5 / 16.0(0.85 / 0.63) | 21.5 / 16.0(0.85 / 0.63) | 21.5 / 16.0(0.85 / 0.63) | |
| Dimensions | Indoor (W*H*D) | mm | 1190*346*265 | 1190*346*265 | 1190*346*265 | |
| | | inch | 46.9*13.6*10.4 | 46.9*13.6*10.4 | 46.9*13.6*10.4 | |
| | Outdoor (W*H*D) | mm | 870*800*320 | 870*800*320 | 870*800*320 | |
| | | inch | 34.3*31.5*12.6 | 34.3*31.5*12.6 | 34.3*31.5*12.6 | |
| Net Weight | Indoor | kg(lbs) | 18(39.7) | 18(39.7) | 18(39.7) | |
| | Outdoor | kg(lbs) | 56.5(124.56) | 56.5(124.56) | 56.5(124.56) | |
| Gross Weight | Indoor | kg(lbs) | 20.5(45.2) | 20.5(45.2) | 20.5(45.2) | |
| | Outdoor | kg(lbs) | 60(132.28) | 60(132.28) | 60(132.28) | |
| Operation Range | Cooling(Outdoor) | °C(°F) | -10(-18)*~48(14(-0.4))*~118.4) | -10(-18)*~48(14(-0.4))*~118.4) | -10(-18)*~48(14(-0.4))*~118.4) | |
| | Heating(Outdoor) | °C(°F) | -20(-4)~24(75.2) | -20(-4)~24(75.2) | -20(-4)~24(75.2) | |
| Piping Length (Min/Max) | | m(ft) | - / 50(164) | - / 50(164) | - / 50(164) | |
| Chargeless | | m(ft) | 7.5(24.6) | 7.5(24.6) | 7.5(24.6) | |
| Max. Elevation Difference | | m(ft) | 30(98.4) | 30(98.4) | 30(98.4) | |
| Tool Code(Chassis) | Indoor + Outdoor | | SV + UE1+ | SV + UE1+ | SV + UE1+ | |
| Functions | Temperature Control | | ○ | ○ | ○ | |
| | Allergy free filter | | - | - | - | |
| | Plasma Filter | | - | - | - | |
| | Prefilter(washable/anti-fungus) | | ○ | ○ | ○ | |
| | Auto Clean | | ○ | ○ | ○ | |
| | CHAOS Wind(Auto Wind) | | ○ | ○ | ○ | |
| | Steps, Fan/Cool/Heat | | 5/6/6 | 5/6/6 | 5/6/6 | |
| | Airflow Direction Control(Up& Down) | | Auto | Auto | Auto | |
| | Airflow Direction Control(Left & Right) | | Auto | Auto | Auto | |
| | Remote Controller Type | | Wireless LCD | Wireless LCD | Wireless LCD | |
| | Setting Temperature | Cooling | 18°C~30°C | 18°C~30°C | 18°C~30°C | |
| | Range | Heating | 16°C~30°C | 16°C~30°C | 16°C~30°C | |
| | Auto Operation (MicomControl) | | - | - | - | |
| | Auto Changeover (MicomControl) | | ○ | ○ | ○ | |
| | Self Diagnosis | | ○ | ○ | ○ | |
| | Timer | | 24h, On/off | 24h, On/off | 24h, On/off | |
| | Sleep Operation | | ○ | ○ | ○ | |
| | Soft Dry Operation | | ○ | ○ | ○ | |
| | Restart Delay(minute) | | 3 | 3 | 3 | |
| | Deice Control(Defrost) | | ○ | ○ | ○ | |
| | Hot Start | | ○ | ○ | ○ | |
| | Surge Cool(Surge) | | ○ | ○ | ○ | |
| | Low Ambient Operation | | ○ | ○ | ○ | |
| | Special Function | | | Water Level Sensor | Water Level Sensor | Water Level Sensor |
| | | | | Wind Baffle kit | Wind Baffle kit | Wind Baffle kit |
| | | | | ()* : use wind baffle kit | ()* : use wind baffle kit | ()* : use wind baffle kit |

Note:

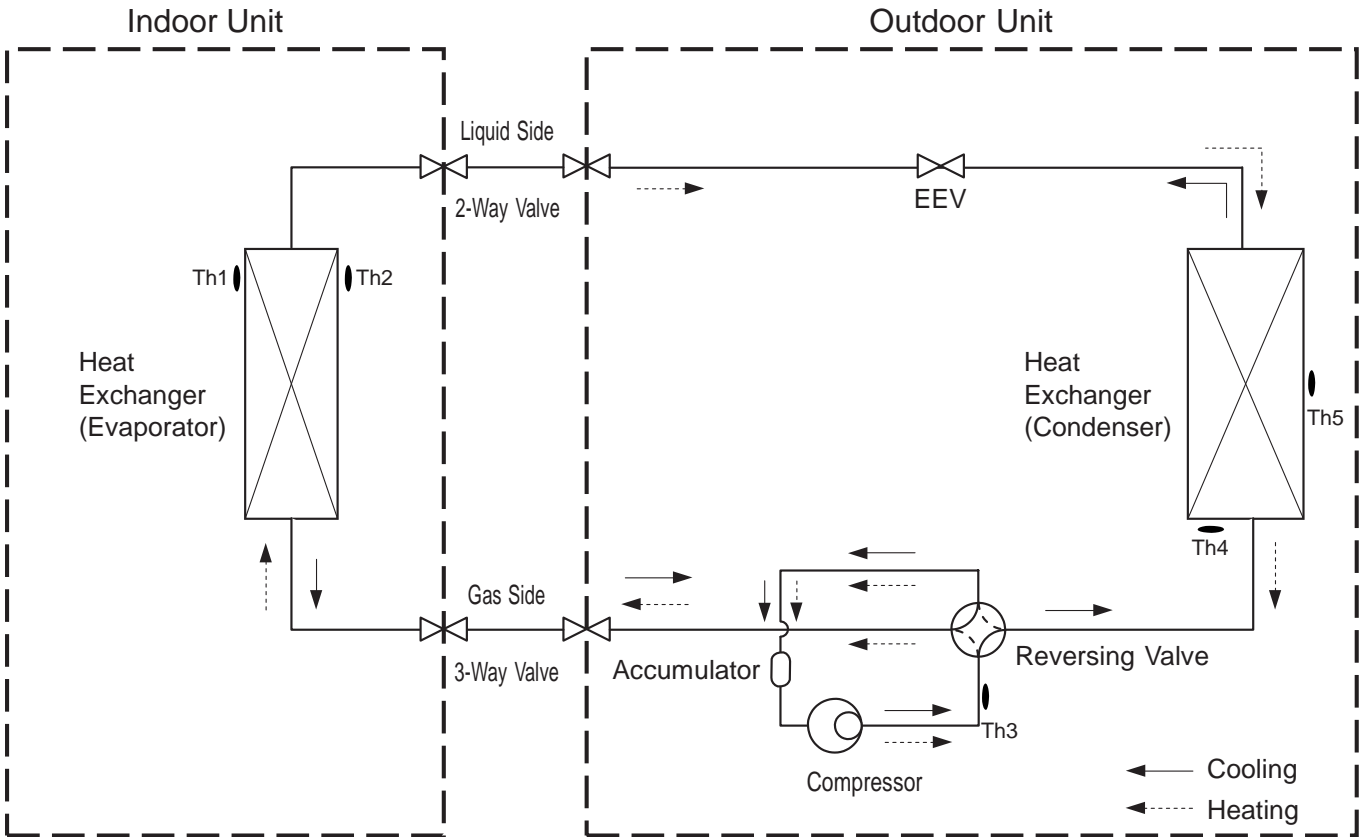
O : Applied, - : No relation

* The specification may be subject to change without notice for purpose of improvement.

* For circuit breaker rating, please conform to local standards wherever necessary.

Piping Diagrams

Model : M24YJ / M30YJ / M36YJ

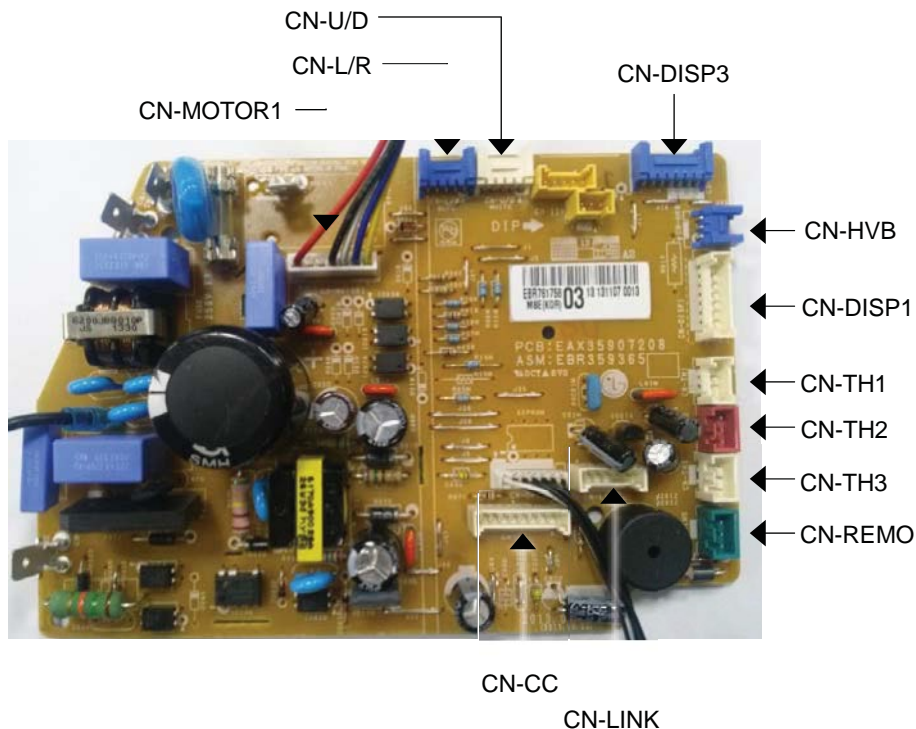
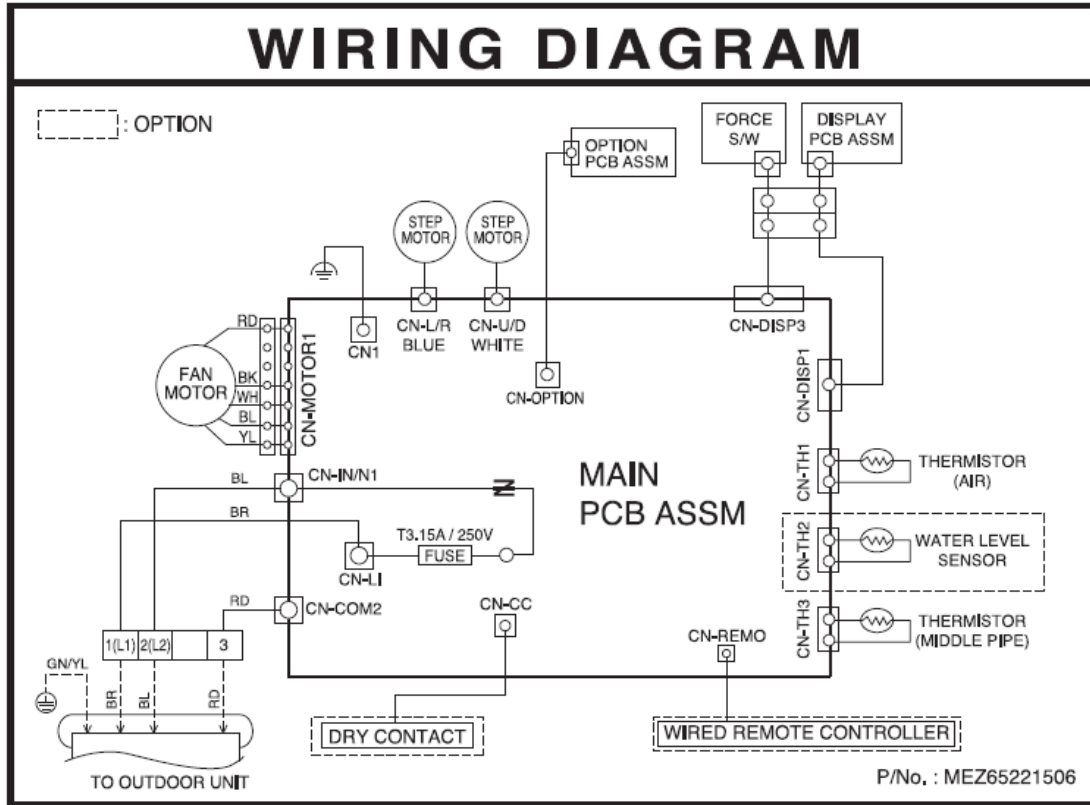


| LOC. | Description | PCB Connector |
|------|--|-----------------|
| Th1 | Thermistor for suction air temperature | CN-TH1(Indoor) |
| Th2 | Thermistor for evaporator middle temperature | CN-TH3(Indoor) |
| Th3 | Thermistor for discharge pipe temperature | CN-TH3(OUTDOOR) |
| Th4 | Thermistor for condensing temperature | CN-TH2(OUTDOOR) |
| Th5 | Thermistor for outdoor air temperature | |

Wiring Diagrams

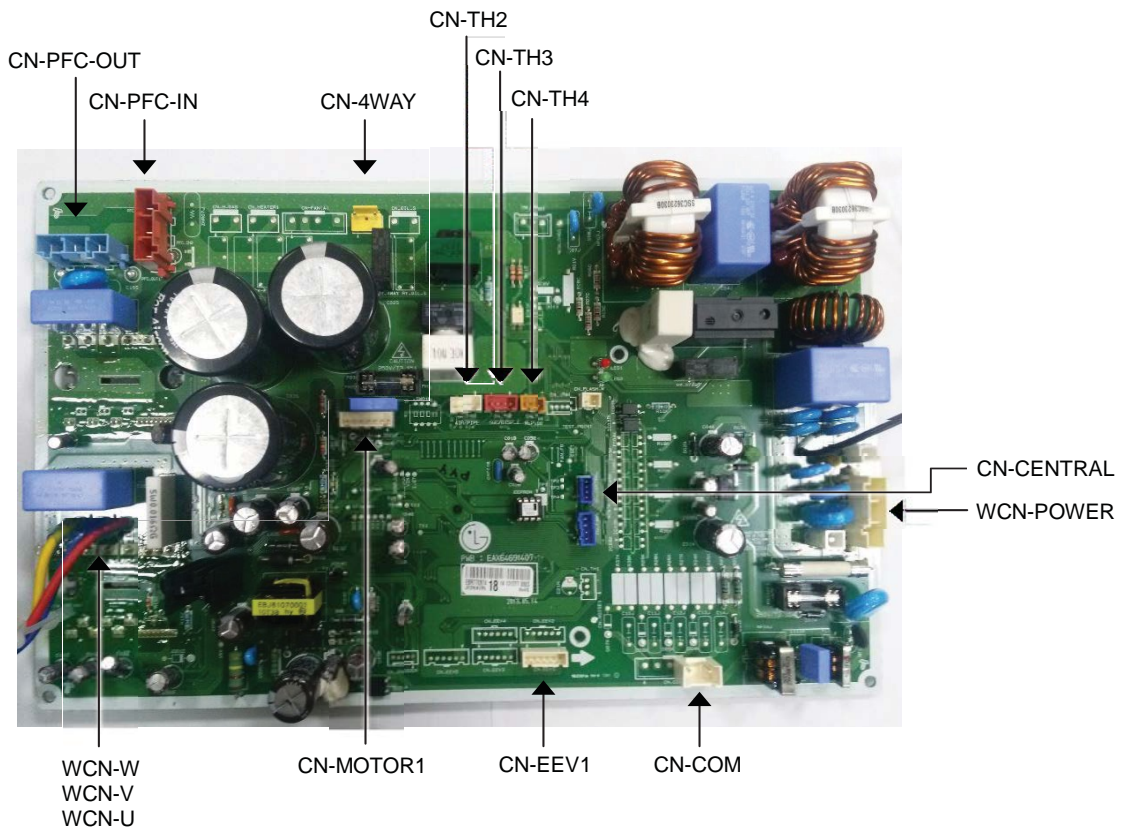
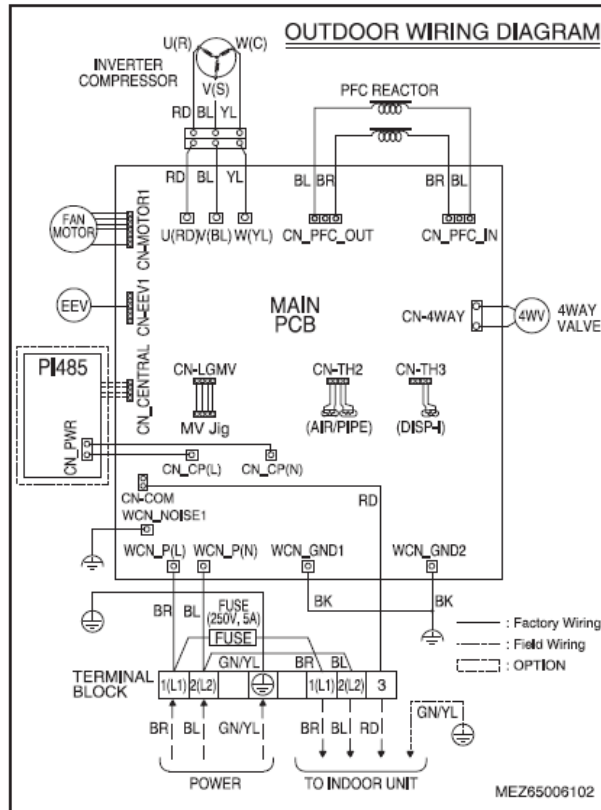
Indoor Unit

Model : MW24Y3J / MW30Y3J / MW36Y3J



Outdoor Unit

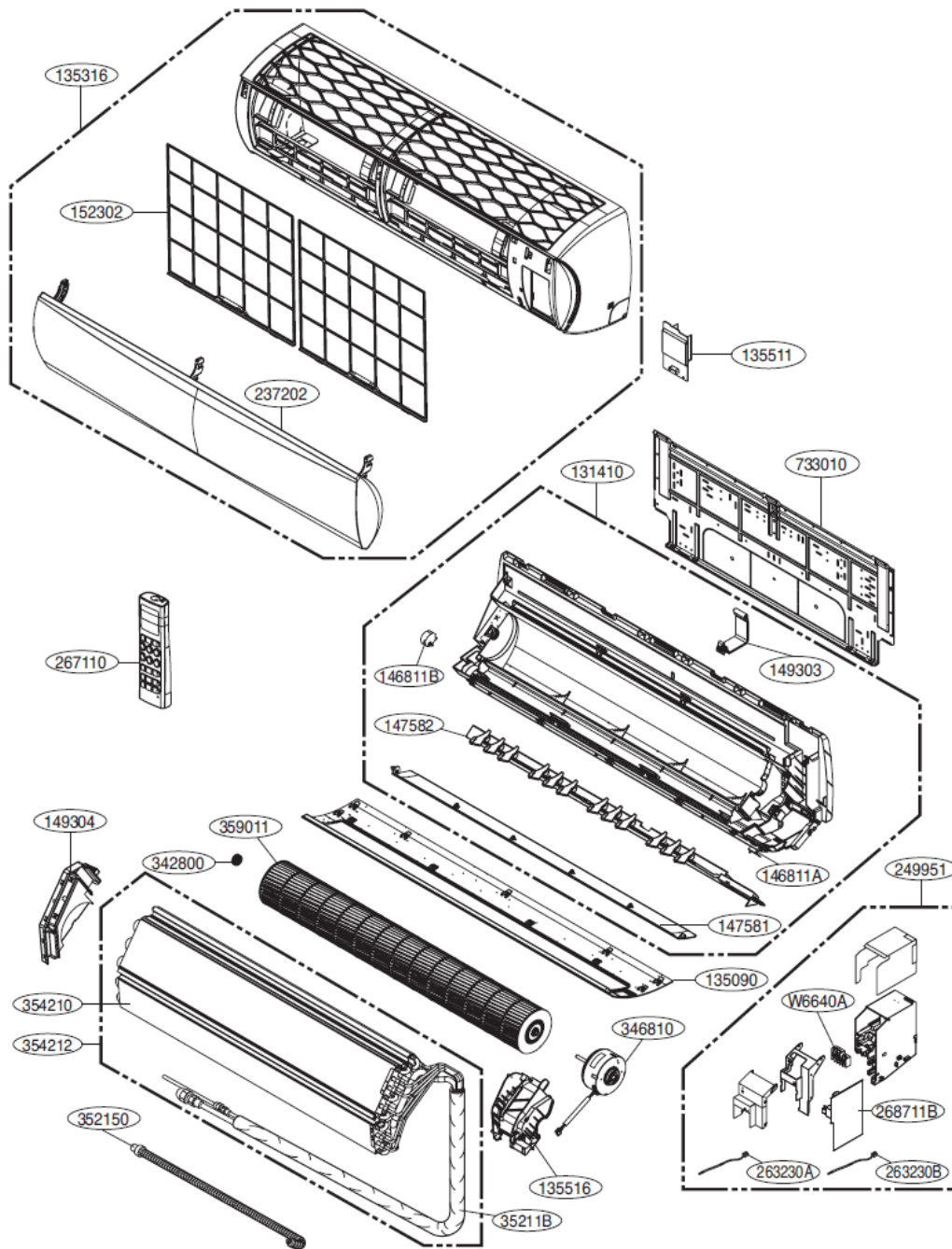
Model : MR24Y3J / MR30Y3J / MR36Y3J



Exploded View

Indoor Unit

Model : MW24Y3J / MW30Y3J / MW36Y3J



| LOC | Description |
|---------|--|
| 263230A | Thermistor for suction air temperature |
| 263230B | Thermistor for evaporator middle temperature |

Model : MW24Y3J

| MW24Y3J | | | |
|----------------|----------------|--------------------------------|------------|
| Loc. No | P/N_FRD | Description | Qty |
| 135316 | 67602532 | Grille Assy Front(Indoor) | 1 |
| 152302 | 67602209 | Filter,Air | 2 |
| 237202 | 67603849 | Panel,Front | 1 |
| 135511 | 67601603 | Cover Assembly,Control(Indoor) | 1 |
| 267110 | 67604307 | Remote Controller Assembly | 1 |
| 733010 | 67604000 | Plate Assembly,Installation | 1 |
| 131410 | 67601007 | Chassis Assembly | 1 |
| 149303 | 67602706 | Holder,Tubing | 1 |
| 146811B | 67603323 | Motor Assembly,DC,Stepping | 1 |
| 146811A | 67603322 | Motor Assembly,DC,Stepping | 1 |
| 147582 | 67603200 | Louver Assembly | 1 |
| 147581 | 67603204 | Louver,Horizontal | 1 |
| 135090 | 67601803 | Decor Assembly | 1 |
| 359011 | 67602110 | Fan Assembly,Cross Flow | 1 |
| 346810 | 67603325 | Motor, DC Indoor | 1 |
| 135516 | 67601609 | Cover Assembly,Motor | 1 |
| 342800 | 67606700 | Bearing | 1 |
| 149304 | 67602704 | Holder,Evaporator | 1 |
| 352150 | 67602804 | Hose Assembly,Drain | 1 |
| 354212 | 67602007 | Evaporator Assembly,Final | 1 |
| 354210 | 67602014 | Evaporator Assembly,First | 1 |
| 35211B | 67605004 | Tube Assembly,Tubing | 1 |
| 249951 | 67600941 | Case Assy Control(Indoor) | 1 |
| W6640A | 67601404 | Connector,Terminal Block | 1 |
| 268711B | 67603951 | PCB Assy Main | 1 |
| 263230A | 67604818 | Thermistor Assembly,NTC | 1 |
| 263230B | 67604808 | Thermistor Assembly,NTC | 1 |

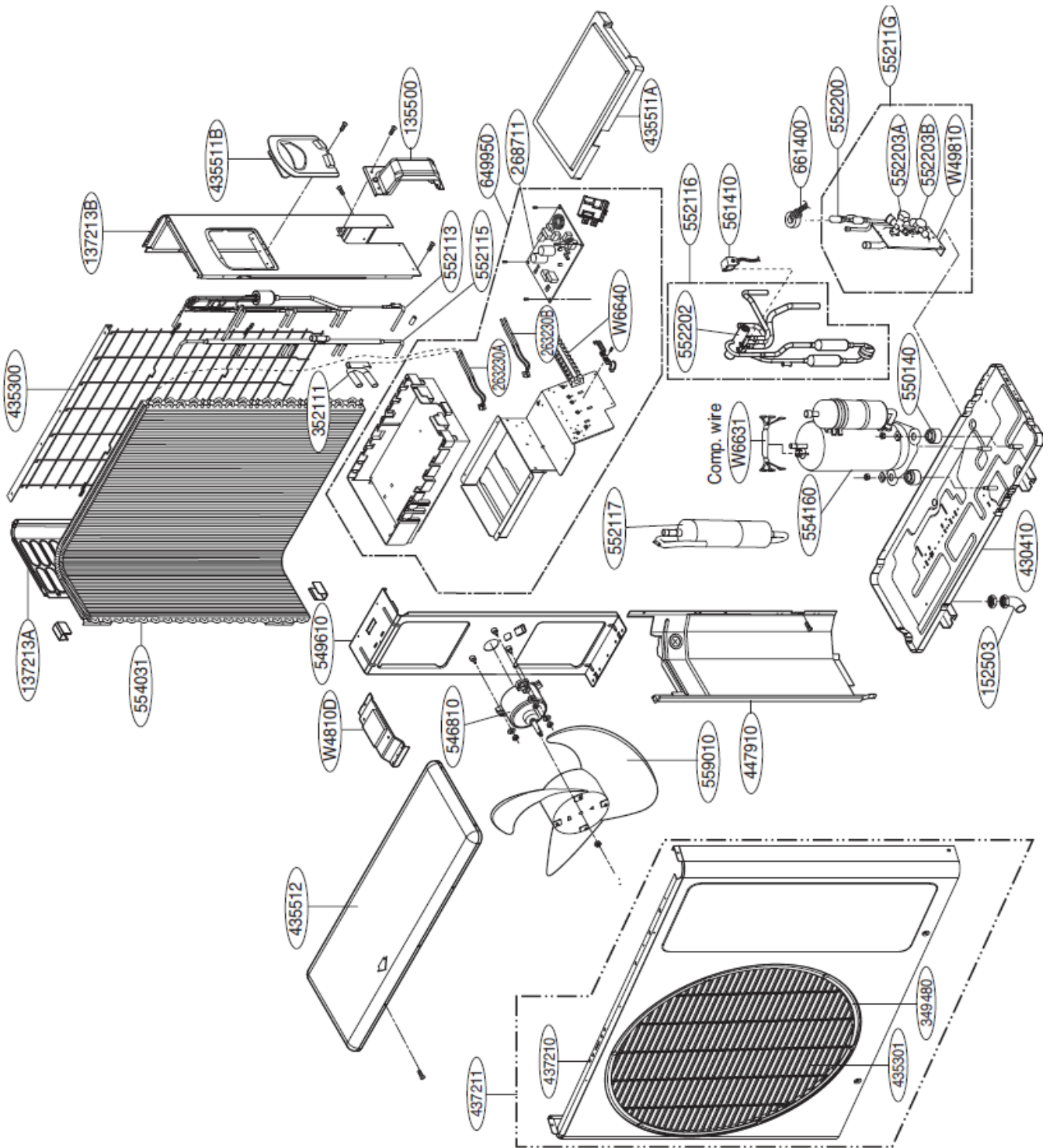
Model : MW30Y3J

| MW30Y3J | | | |
|----------------|----------------|--------------------------------|------------|
| Loc No. | P/N_FRD | Description | Qty |
| 135316 | 67602532 | Grille Assembly,Front(Indoor) | 1 |
| 152302 | 67602209 | Filter,Air | 2 |
| 237202 | 67602534 | Panel Front | 1 |
| 135511 | 67601603 | Cover Assembly,Control(Indoor) | 1 |
| 267110 | 67604307 | Remote Controller Assembly | 1 |
| 733010 | 67604000 | Plate Assembly,Installation | 1 |
| 131410 | 67601007 | Chassis Assembly | 1 |
| 149303 | 67602706 | Holder,Tubing | 1 |
| 146811B | 67603323 | Motor Assembly,DC,Stepping | 1 |
| 146811A | 67603322 | Motor Assembly,DC,Stepping | 1 |
| 147582 | 67603200 | Louver Assembly | 1 |
| 147581 | 67603204 | Louver,Horizontal | 1 |
| 135090 | 67601803 | Decor Assembly | 1 |
| 359011 | 67602110 | Fan Assembly,Cross Flow | 1 |
| 346810 | 67603325 | Motor, DC Indoor | 1 |
| 135516 | 67601609 | Cover Assembly,Motor | 1 |
| 342800 | 67606700 | Bearing | 1 |
| 149304 | 67602704 | Holder,Evaporator | 1 |
| 352150 | 67602804 | Hose Assembly,Drain | 1 |
| 354212 | 67602007 | Evaporator Assembly,Final | 1 |
| 354210 | 67602014 | Evaporator Assembly,First | 1 |
| 35211B | 67605004 | Tube Assembly,Tubing | 1 |
| 249951 | 67600941 | Case Assembly,Control(Indoor) | 1 |
| W6640A | 67601404 | Connector,Terminal Block | 1 |
| 268711B | 67603951 | PCB Assembly,Main | 1 |
| 263230A | 67604818 | Thermistor Assembly,NTC | 1 |
| 263230B | 67604808 | Thermistor Assembly,NTC | 1 |

Model : MW36Y3J

| MW36Y3J | | | |
|----------------|----------------|--------------------------------|------------|
| Loc No. | P/N_FRD | Description | Qty |
| 135316 | 67602532 | Grille Assembly,Front(Indoor) | 1 |
| 152302 | 67602209 | Filter,Air | 2 |
| 237202 | 67602534 | Panel,Front | 1 |
| 135511 | 67601603 | Cover Assembly,Control(Indoor) | 1 |
| 267110 | 67604307 | Remote Controller Assembly | 1 |
| 733010 | 67604000 | Plate Assembly,Installation | 1 |
| 131410 | 67601007 | Chassis Assembly | 1 |
| 149303 | 67602706 | Holder,Tubing | 1 |
| 146811B | 67603323 | Motor Assembly,DC,Stepping | 1 |
| 146811A | 67603322 | Motor Assembly,DC,Stepping | 1 |
| 147582 | 67603200 | Louver Assembly | 1 |
| 147581 | 67603204 | Louver,Horizontal | 1 |
| 135090 | 67601803 | Decor Assembly | 1 |
| 359011 | 67602110 | Fan Assembly,Cross Flow | 1 |
| 346810 | 67603325 | Motor, DC Indoor | 1 |
| 135516 | 67601609 | Cover Assembly,Motor | 1 |
| 342800 | 67606700 | Bearing | 1 |
| 149304 | 67602704 | Holder,Evaporator | 1 |
| 352150 | 67602804 | Hose Assembly,Drain | 1 |
| 354212 | 67602007 | Evaporator Assembly,Final | 1 |
| 354210 | 67602014 | Evaporator Assembly,First | 1 |
| 35211B | 67605004 | Tube Assembly,Tubing | 1 |
| 249951 | 67600941 | Case Assembly,Control(Indoor) | 1 |
| W6640A | 67601404 | Connector,Terminal Block | 1 |
| 268711B | 67603951 | PCB Assembly,Main | 1 |
| 263230A | 67604818 | Thermistor Assembly,NTC | 1 |
| 263230B | 67604808 | Thermistor Assembly,NTC | 1 |

Outdoor Unit
Model: MR24Y3J / MR30Y3J / MR36Y3J



| LOC | Description |
|---------|--|
| 263230A | Thermistor for discharge pipe temperature |
| | Thermistor for outdoor air temperature |
| 263230B | Thermistor for condensing middle temperature |

Model: MR24Y3J

| MR24Y3J | | | |
|---------|----------|---------------------------------|-----|
| Loc. No | P/N_FRD | Description | Qty |
| 437211 | 67603850 | Panel Assy Front(Outdoor) | 1 |
| 435301 | 67602533 | Grille Discharge | 1 |
| 349480 | 67603602 | Orifice | 1 |
| 437210 | 67603810 | Panel Assembly,Front(Sub) | 1 |
| 435512 | 67601610 | Cover Assembly,Top(Outdoor) | 1 |
| 559010 | 67602115 | Fan,Propeller | 1 |
| 447910 | 67600302 | Barrier Assembly,Outdoor | 1 |
| 546810 | 67603312 | Motor Assembly,DC,Outdoor | 1 |
| W4810D | 67600700 | Bracket | 1 |
| 549610 | 67600707 | Bracket Assembly,Motor | 1 |
| 554031 | 67601305 | Condenser Assembly,Bending | 1 |
| 137213A | 67603828 | Panel Assembly,Side | 1 |
| 435300 | 67602518 | Grille,Rear | 1 |
| 137213B | 67603827 | Panel Assembly,Side | 1 |
| 435511B | 67601608 | Cover Assembly,Control(Outdoor) | 1 |
| 135500 | 67601506 | Cover | 1 |
| 552113 | 67605304 | Tube Assembly,Condenser(Out) | 1 |
| 352111 | 67605400 | Tube Assembly,Connector | 1 |
| 552115 | 67606009 | Tube Assembly,Manifold(Outdoor) | 1 |
| 649950 | 67600942 | Case Assembly,Control(Outdoor) | 1 |
| 268711 | 67603952 | PCB Assy | 1 |
| W6640 | 67601400 | Connector,Terminal Block | 1 |
| 263230A | 67601813 | Thermistor Assembly,NTC | 1 |
| 263230B | 67604817 | Thermistor Assembly,NTC | 1 |
| 435511A | 67601605 | Cover Assembly,Control(Outdoor) | 1 |
| 552117 | 67606204 | Tube Assembly,Suction(Outdoor) | 1 |
| W6631 | 67602601 | Harness,Multi | 1 |
| 554160 | 67604201 | Compressor Set,Korea | 1 |
| 550140 | 67601702 | Damper,Compressor | 3 |
| 152503 | 67603500 | Nipple,Drain | 1 |
| 430410 | 67600605 | Base Assembly,Outdoor | 1 |
| 552202 | 67606403 | Valve,Reverse | 1 |
| 552116 | 67606105 | Tube Assembly,Reverse | 1 |
| 561410 | 67601905 | Drawing,Assembly | 1 |
| 661400 | 67601101 | Coil,Expansion | 1 |
| 552200 | 67606302 | Valve,Expansion Body | 1 |
| 55211G | 67605903 | Tube Assembly,Expansion | 1 |
| 552203A | 67606507 | Valve,Service | 1 |
| 552203B | 67606516 | Valve Service | 1 |
| W49810 | 67604606 | Supporter Assembly | 1 |

Model: MR30Y3J

| MR30Y3J | | | |
|----------------|----------------|---------------------------------|------------|
| Loc No. | P/N_FRD | Description | Qty |
| 437211 | 67603850 | Panel Assembly,Front(Outdoor) | 1 |
| 435301 | 67602533 | Grille,Discharge | 1 |
| 349480 | 67603602 | Orifice | 1 |
| 437210 | 67603810 | Panel Assembly,Front(Sub) | 1 |
| 435512 | 67601610 | Cover Assembly,Top(Outdoor) | 1 |
| 559010 | 67602115 | Fan,Propeller | 1 |
| 447910 | 67600302 | Barrier Assembly,Outdoor | 1 |
| 546810 | 67603312 | Motor Assembly,DC,Outdoor | 1 |
| W4810D | 67600700 | Bracket | 1 |
| 549610 | 67600707 | Bracket Assembly,Motor | 1 |
| 554031 | 67601305 | Condenser Assembly,Bending | 1 |
| 137213A | 67603828 | Panel Assembly,Side | 1 |
| 435300 | 67602518 | Grille,Rear | 1 |
| 137213B | 67603827 | Panel Assembly,Side | 1 |
| 435511B | 67601608 | Cover Assembly,Control(Outdoor) | 1 |
| 135500 | 67601506 | Cover | 1 |
| 552113 | 67605304 | Tube Assembly,Condenser(Out) | 1 |
| 352111 | 67605400 | Tube Assembly,Connector | 1 |
| 552115 | 67606009 | Tube Assembly,Manifold(Outdoor) | 1 |
| 649950 | 67600943 | Case Assy Control(Outdoor) | 1 |
| 268711 | 67603953 | PCB Assly | 1 |
| W6640 | 67601400 | Connector,Terminal Block | 1 |
| 263230A | 67604813 | Thermistor Assembly,NTC | 1 |
| 263230B | 67604817 | Thermistor Assembly,NTC | 1 |
| 435511A | 67601605 | Cover Assembly,Control(Outdoor) | 1 |
| 552117 | 67606204 | Tube Assembly,Suction(Outdoor) | 1 |
| W6631 | 67602601 | Harness,Multi | 1 |
| 554160 | 67604201 | Compressor Set,Korea | 1 |
| 550140 | 67601702 | Damper,Compressor | 3 |
| 152503 | 67603500 | Nipple,Drain | 1 |
| 430410 | 67600605 | Base Assembly,Outdoor | 1 |
| 552202 | 67606403 | Valve,Reverse | 1 |
| 552116 | 67606105 | Tube Assembly,Reverse | 1 |
| 561410 | 67601905 | Drawing,Assembly | 1 |
| 661400 | 67601101 | Coil,Expansion | 1 |
| 552200 | 67606302 | Valve,Expansion Body | 1 |
| 55211G | 67605903 | Tube Assembly,Expansion | 1 |
| 552203A | 67606507 | Valve,Service | 1 |
| 552203B | 67606516 | Valve,Service | 1 |
| W49810 | 67604606 | Supporter Assembly | 1 |

Model: MR36Y3J

| MR36Y3J | | | |
|---------|----------|---------------------------------|-----|
| Loc No. | P/N_FRD | Description | Qty |
| 437211 | 67603850 | Panel Assembly,Front(Outdoor) | 1 |
| 435301 | 67602533 | Grille,Discharge | 1 |
| 349480 | 67603602 | Orifice | 1 |
| 437210 | 67603810 | Panel Assembly,Front(Sub) | 1 |
| 435512 | 67601610 | Cover Assembly,Top(Outdoor) | 1 |
| 559010 | 67602115 | Fan,Propeller | 1 |
| 447910 | 67600302 | Barrier Assembly,Outdoor | 1 |
| 546810 | 67603312 | Motor Assembly,DC,Outdoor | 1 |
| W4810D | 67600700 | Bracket | 1 |
| 549610 | 67600707 | Bracket Assembly,Motor | 1 |
| 554031 | 67601305 | Condenser Assembly,Bending | 1 |
| 137213A | 67603828 | Panel Assembly,Side | 1 |
| 435300 | 67602518 | Grille,Rear | 1 |
| 137213B | 67603827 | Panel Assembly,Side | 1 |
| 435511B | 67601608 | Cover Assembly,Control(Outdoor) | 1 |
| 135500 | 67601506 | Cover | 1 |
| 552113 | 67605304 | Tube Assembly,Condenser(Out) | 1 |
| 352111 | 67605400 | Tube Assembly,Connector | 1 |
| 552115 | 67606009 | Tube Assembly,Manifold(Outdoor) | 1 |
| 649950 | 67600944 | Case Assy Control(Outdoor) | 1 |
| 268711 | 67603954 | PCB Assy | 1 |
| W6640 | 67601400 | Connector,Terminal Block | 1 |
| 263230A | 67604813 | Thermistor Assembly,NTC | 1 |
| 263230B | 67604817 | Thermistor Assembly,NTC | 1 |
| 435511A | 67601605 | Cover Assembly,Control(Outdoor) | 1 |
| 552117 | 67606204 | Tube Assembly,Suction(Outdoor) | 1 |
| W6631 | 67602601 | Harness,Multi | 1 |
| 554160 | 67604201 | Compressor Set,Korea | 1 |
| 550140 | 67601702 | Damper,Compressor | 3 |
| 152503 | 67603500 | Nipple,Drain | 1 |
| 430410 | 67600605 | Base Assembly,Outdoor | 1 |
| 552202 | 67606403 | Valve,Reverse | 1 |
| 552116 | 67606105 | Tube Assembly,Reverse | 1 |
| 561410 | 67601905 | Drawing,Assembly | 1 |
| 661400 | 67601101 | Coil,Expansion | 1 |
| 552200 | 67606302 | Valve,Expansion Body | 1 |
| 55211G | 67605903 | Tube Assembly,Expansion | 1 |
| 552203A | 67606507 | Valve,Service | 1 |
| 552203B | 67606516 | Valve,Service | 1 |
| W49810 | 67604606 | Supporter Assembly | 1 |

FRIEDRICH

Friedrich Air Conditioning Co. | 10001 Reunion Place, Suite 500 | San Antonio, TX 78216 | 877.599.5665
www.friedrich.com